

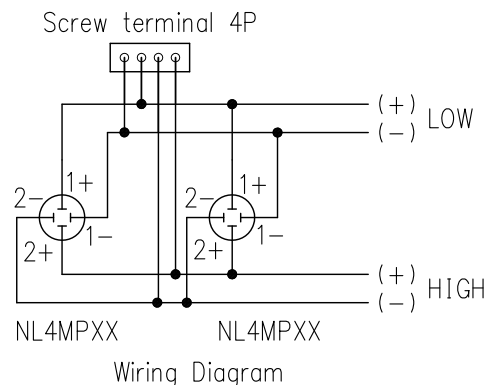
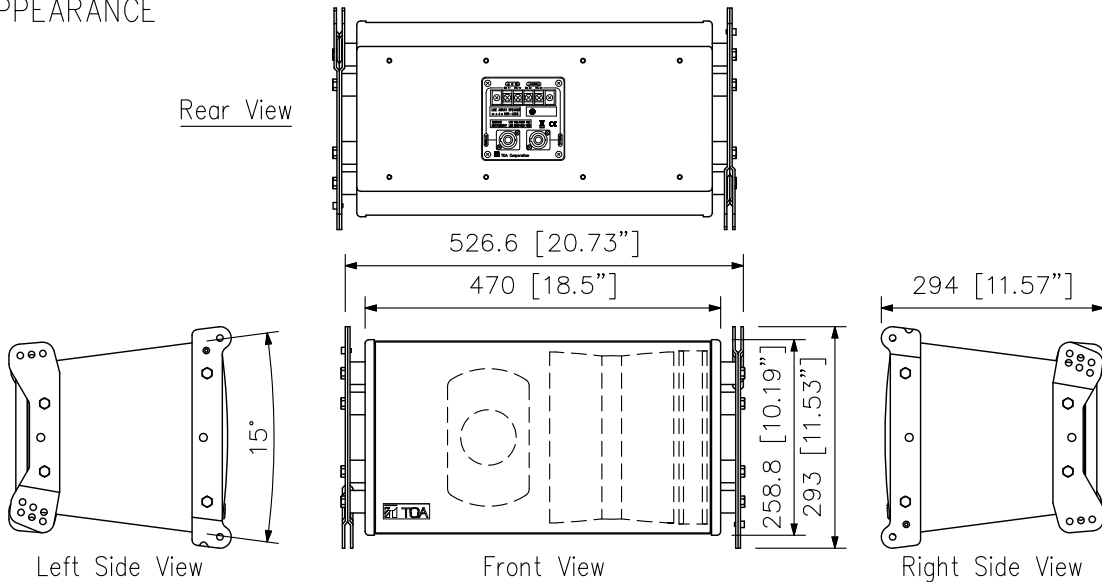
DESCRIPTION

The SR-C8S is a 2-way line array speaker featuring wave front control technology which creates a sound field with high sound clarity and uniform sound pressure. Recommended digital speaker processor is the DP-SP3 (option). It can be converted into the bi-amplifier drive system by changing the internal connection.

SPECIFICATIONS

Enclosure	Bass-reflex type
Power Handling Capacity	Continuous program: 360 W (single-amp mode) Low: 360 W, High: 180 W (bi-amp mode)
Rated Impedance	16 Ω (single-amp mode) Low: 16 Ω , High: 16 Ω (bi-amp mode)
Sensitivity	98 dB (1 W, 1 m) (single-amp mode) Low: 95 dB (1 W, 1 m), High: 110 dB (1 W, 1 m) (bi-amp mode)
Frequency Response	65 Hz - 20 kHz (when recommended parameters are applied by the optional DP-SP3)
Crossover Frequency	1.6 kHz (when recommended parameters are applied by the optional DP-SP3)
Directivity Angle	Horizontal: 110°, Vertical: 15°
Speaker Component	Low frequency: 20 cm (8") cone-type High frequency: Wave front control horn 110° (horizontal) \times 15° (vertical) + compression driver \times 2
Input Connector	M4 screw terminal, distance between barriers: 10 mm (0.39") and Neutrik NL4MPXX \times 2
Finish	Enclosure: Plywood, black, urethane paint Front grille: Punched steel plate, black, paint
Dimensions	526.6 (W) \times 293 (H) \times 294 (D) mm (20.73" \times 11.54" \times 11.57")
Weight	16 kg (35.27 lb)
Accessory	M8 connection bolt \times 4
Option	Cluster bracket: SR-CL8 Rigging frame: SR-RF8 Tilt joint bracket: SR-TP8 Digital speaker processor: DP-SP3

APPEARANCE



UNIT:mm SCALE:1/10